



VENT PRODUCTS CO., INC.

1901 S. Kilbourn Ave., Chicago, Illinois 60623 USA

Telephone: (773) 521-1900 Toll: (800) 368-8368

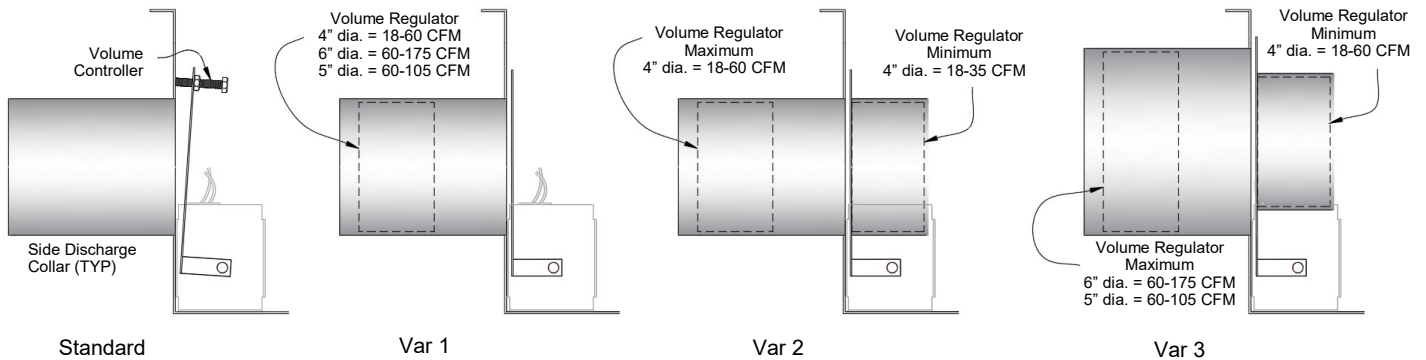
Fax: (773) 521-5613

Website: www.ventproducts.com

Ceiling or Wall Mount Energy Dampers SIDE DISCHARGE

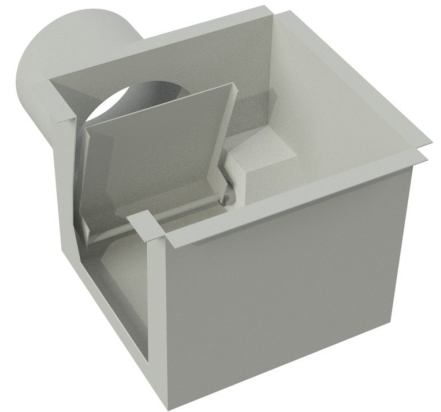
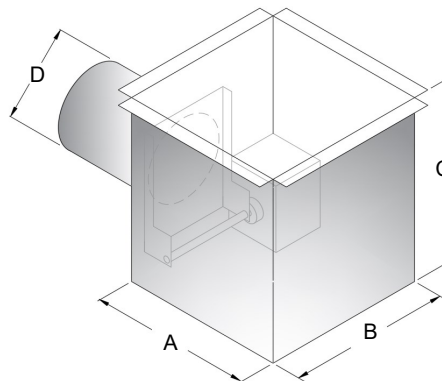
Model	Dimensions				Free Area No Regulator	Volume Controller	Constant Volume Regulator	
	A	B	C	D			Low Pressure or Standard Pressure	
S-SENF	6"	8"	9"	4" dia.	12.17 sq in.	Std.	Var 1	Var 2
S-EENF	8"	8"	9"	4" dia.	12.17 sq in.	Std.	Var 1	Var 2
S-ETNS	8"	10"	9"	6" dia.	27.67 sq in.	Std.	Var 1	Var 3
S-TTNS	10"	10"	9"	6" dia.	27.67 sq in.	Std.	Var 1	Var 3
S-ETNV	8"	10"	9"	5" dia.	19.14 sq in.	Std.	Var 1	Var 3
S-TTNV	10"	10"	9"	5" dia.	19.14 sq in.	Std.	Var 1	Var 3

STOP! Do NOT mount with shaft in up position



STANDARD CONSTRUCTION

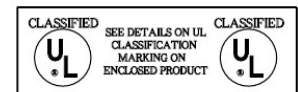
- BOX & COLLAR:** 20 gauge galvanized steel, G90
- BLADE:** 20 gauge galvanized steel, G90
- ACTUATOR BRACKET:** 18 gauge galvanized steel, G90
- ACTUATOR COVER:** 20 gauge galvanized steel, G90
- AXLE:** 5/16" dia. zinc plated steel
- SEALS:** 1/2" x 1/4" polyurethane foam
- ASSEMBLY:** Welded and riveted
- ACTUATOR:** 120 vac, 2-position spring return
- VOLUME CONTROLLER:** 1/4" dia. x 2" plated steel
- FINISH:** Mill finish



Optional Construction: Available in heavier gauge in galvanized steel, stainless steel or aluminum and custom sizes.

Design and Application:

Vent Products Energy Dampers are designed to maximize the efficiency of energy while saving the cost of power. It is very easy to install and the ease of replacement of internal components. The actuator is readily accessible behind the grille (supplied by others). The flexible blade design can be controlled with volume controller as part of our standard and constant volume regulator (supplied by others). It is ideal for new or retro-fit construction.



Constant Volume Regulator
UL Classified

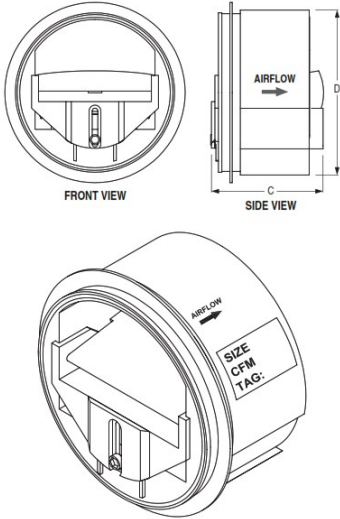
DATE:	Tag	Qty	Model	Size (A x B)	Std. Const. (Y/N)	Options
PROJECT:						
LOCATION:						
ARCH/ENGR:						
CUSTOMER:						



VENT PRODUCTS CO., INC.

1901 S. Kilbourn Ave., Chicago, Illinois 60623 USA
 Telephone: (773) 521-1900 Toll : (800) 368-8368
 Fax: (773) 521-5613
 Website: www.ventproducts.com

Ceiling or Wall Mount Energy Dampers Air Performance



Constant Volume Regulator:

Choose the size to meet your performance criteria. Each regulator is adjustable to various range of flow rates.

The volume regulator allows for uniform airflow as the system pressure fluctuates due to dampers opening and closing. The regulator reduces system noise and energy consumption by permitting a smaller fan to satisfy the system requirements.

The minimum flow regulator is installed to the damper blade to guarantee continuous low-level airflow even with the damper entirely closed. When the actuator is energized the damper blade will open allowing maximum ventilation established by the second regulator calibrated and installed in the collar.

Design and Application:

Vent Products Energy Dampers are designed to maximize the efficiency of energy while saving the cost of power. It is very easy to install and the ease of replacement of internal components. The actuator is readily accessible behind the grille (supplied by others). The flexible blade design can be controlled with volume controller as part of our standard and constant volume regulator (supplied by others). It is ideal for new or retro-fit construction.

