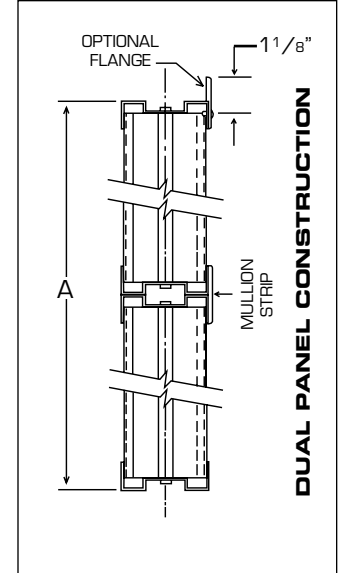
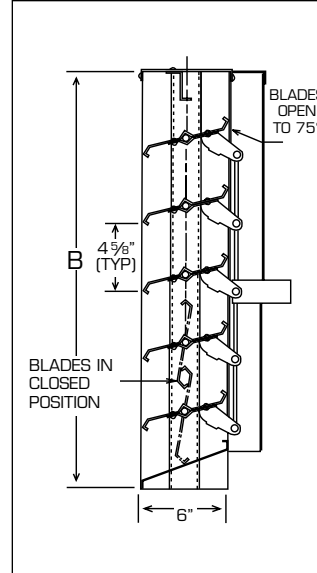
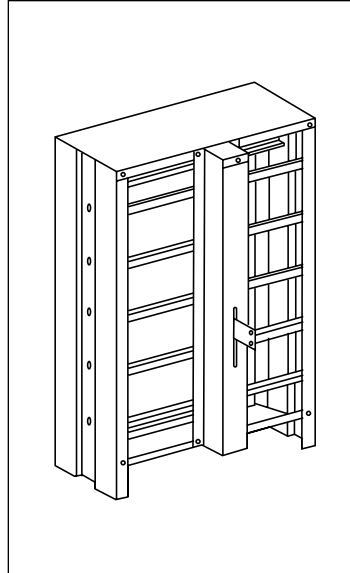
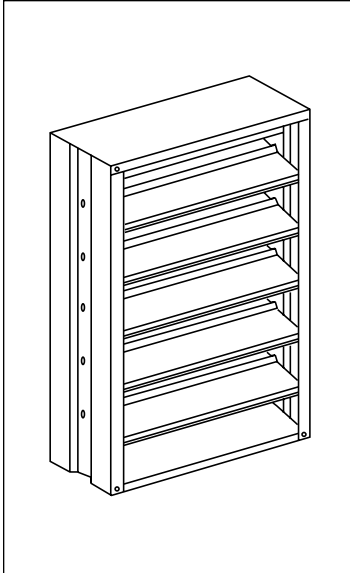




**CERTIFICATION & SUBMITTAL
MODEL 4675 FABRICATED METAL LOUVER
Adjustable Blade @ 75°**



STANDARD SPECIFICATIONS

- **FRAME:** 18 gauge galvanized steel head and sill with 14 gauge galvanized steel jambs.
- **BLADES:** 18 gauge galvanized "V" reinforced steel blades.
- **AXLES:** 1/2" diameter x 2" long plated steel rods.
- **BEARINGS:** 1/2" diameter self-lubricating porous bronze.
- **HARDWARE:** Plated steel center brackets; brass pivots, 1/4" or 5/16" dia. plated steel linkage rod.
- **OPERATING ARM:** 14 gauge galvanized steel.
- **COVER CHANNEL:** 18 gauge galvanized steel.
- **BIRDSCREEN:** 19 gauge 1/2" x 1/2" galvanized steel
- **FINISH:** Standard Mill.
- **MAX. SINGLE SECTION:** 60" X 96"
- **MINIMUM SIZE:** 12" x 10"

NOTE: A and B are opening dimensions. Unless otherwise specified, louvers are made 1/4" undersize.

OPTIONS

- 06 Blade edge seals.
- 08 Stainless steel side seals.
- 31 Flange.
- 34 Buck Frame (requires flanged louver).
- 35 Sill Extension.
- 40 Standard Screen in removable frame.
- 42 18 x 16 Mesh aluminum insect screen.
- 63 Burglar bars.
- 81 16 gauge construction.
- 86 Aluminum construction.
- 89 Sleeve.
- 90 Jackshaft.
- 92 Actuators.
- 95 Finishing.



**PERFORMANCE DATA MODEL 4675
FABRICATED METAL LOUVER
Adjustable Blade @ 75°**

		A - WIDTH (In Inches)												
		12	16	20	24	28	32	36	40	44	48	52	56	60
B - HEIGHT (In Inches)	12	.41	.59	.76	.93	1.11	1.28	1.45	1.63	1.80	1.97	2.15	2.32	2.50
	16	.66	.94	1.22	1.49	1.77	2.05	2.33	2.60	2.88	3.16	3.44	3.72	3.99
	20	.91	1.29	1.67	2.05	2.43	2.82	3.20	3.58	3.96	4.34	4.73	5.11	5.49
	24	1.15	1.64	2.13	2.61	3.10	3.59	4.07	4.56	5.04	5.53	6.02	6.50	6.99
	28	1.40	1.99	2.58	3.17	3.76	4.35	4.94	5.53	6.12	6.71	7.30	7.90	8.49
	32	1.65	2.34	3.04	3.73	4.43	5.12	5.82	6.51	7.20	7.90	8.59	9.29	9.98
	36	1.65	2.34	3.04	3.73	4.43	5.12	5.82	6.51	7.20	7.90	8.59	9.29	9.98
	40	1.90	2.70	3.49	4.29	5.09	5.89	6.69	7.49	8.29	9.08	9.88	10.68	11.48
	44	2.14	3.05	3.95	4.85	5.76	6.66	7.56	8.46	9.37	10.27	11.17	12.07	12.98
	48	2.39	3.40	4.41	5.41	6.42	7.43	8.43	9.44	10.45	11.45	12.46	13.47	14.47
	52	2.64	3.75	4.86	5.97	7.08	8.19	9.31	10.42	11.53	12.64	13.75	14.86	15.97
	56	5.89	4.10	5.32	6.53	7.75	8.96	10.18	11.39	12.61	13.82	15.04	16.25	17.47
	60	3.13	4.45	5.77	7.09	8.41	9.73	11.05	12.37	13.69	15.01	16.33	17.65	18.97
	64	3.13	4.45	5.77	7.09	8.41	9.73	11.05	12.37	13.69	15.01	16.33	17.65	18.97
	68	3.38	4.80	6.23	7.65	9.08	10.50	11.92	13.35	14.77	16.19	17.62	19.04	20.46
	72	3.63	5.16	6.68	8.21	9.74	11.27	12.80	14.32	15.85	17.38	18.91	20.43	21.96
	76	3.88	5.51	7.14	8.77	10.40	12.04	13.67	15.30	16.93	18.56	20.20	21.83	23.46
	80	4.12	5.86	7.60	9.33	11.07	12.80	14.54	16.28	18.01	19.75	21.48	23.22	24.96
84	4.37	6.21	8.05	9.89	11.73	13.57	15.41	17.25	19.09	20.93	22.77	24.61	26.45	
88	4.62	6.56	8.51	10.45	12.40	14.34	16.28	18.23	20.17	22.12	24.06	26.01	27.95	
92	4.62	6.56	8.51	10.45	12.40	14.34	16.28	18.23	20.17	22.12	24.06	26.01	27.95	
96	4.87	6.91	8.96	11.01	13.06	15.11	17.16	19.21	21.25	23.30	25.35	27.40	29.45	

FREE AREA (Sq. Ft.)

NOTE:

1. It is possible for moisture to penetrate louvers with blades in full open position. For critical applications, drained ductwork or other means of drainage is recommended.