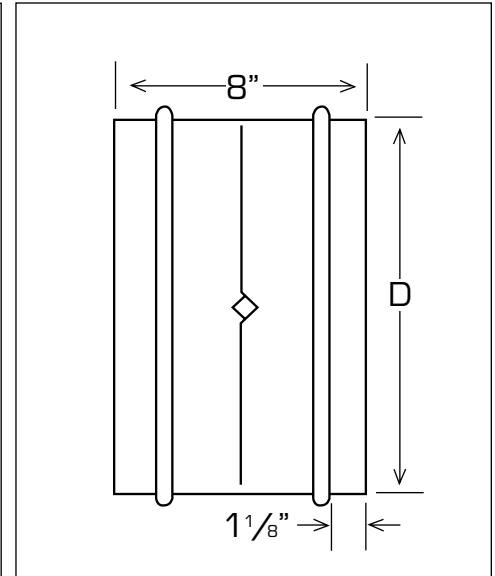
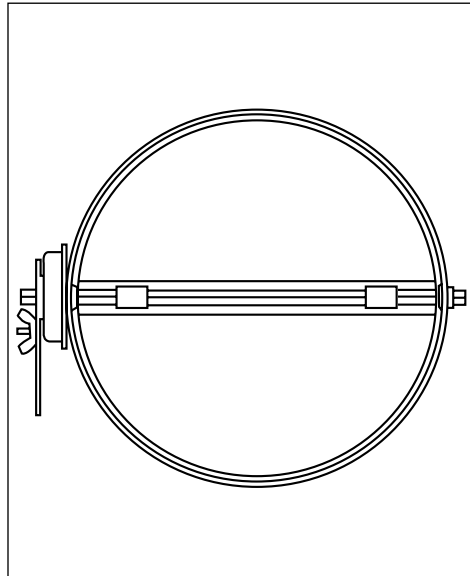




**CERTIFICATION & SUBMITTAL
MODEL 5321
Manual Balancing Round Dampers**



STANDARD SPECIFICATIONS

- **FRAME:** 20 gauge galvanized formed steel.
- **BLADE:** 20 gauge galvanized formed steel.
- **BEARINGS:** 1/2" diameter nylon.
- **AXLES:** 3/8" square plated steel rods.
- **QUADRANT:** Heavy gauge plated steel with wingnut locks.
- **FINISH:** Standard Mill.
- **MAXIMUM VELOCITY:** 1500 F.P.M.
- **MINIMUM SIZE:** 4" diameter.
- **MAXIMUM SIZE:** 20" diameter.

NOTES:

1. D is opening dimension. Unless otherwise specified dampers are made 1/8" undersize.
2. For manual operation only; not intended to be motor operated.

