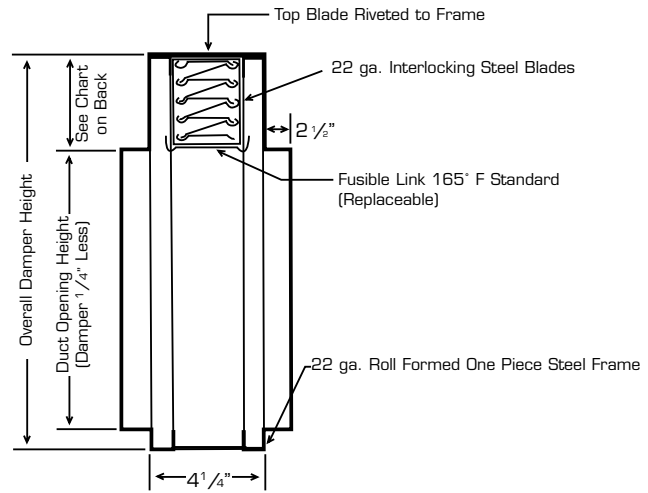
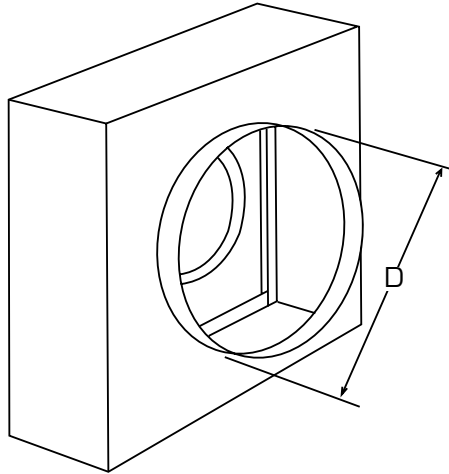


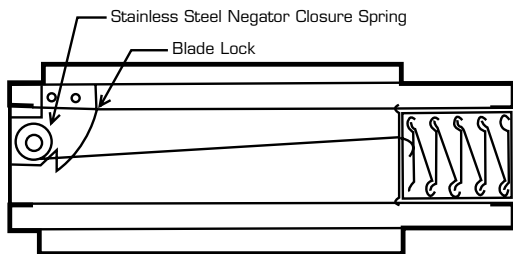


VENT PRODUCTS CO., INC.
 1901 South Kilbourn Avenue Chicago, Illinois 60623
 Telephone: 773/521-1900
 Outside Illinois: 800/368-8368
 FAX: 773/521-5613

CERTIFICATION & SUBMITTAL
MODEL 5500 FIRE-TITE™ UL FIRE DAMPERS
“CR” Frames Round or Oval
FOR USE IN STATIC SYSTEMS ONLY



VERTICAL MOUNT
MODEL 5540
MODEL 5550



HORIZONTAL MOUNT
MODEL 5541
MODEL 5551

UNDERWRITERS LABORATORIES, INC.™
 CLASSIFIED
FIRE DAMPER No. []
FIRE RESISTANCE RATING 1-1/2 HOUR

VENT
PRODUCTS
CO., INC.

California Fire Marshal
Listing No. 3225-1078:100

ALL DAMPERS 1/4" UNDER LISTED DIMENSIONS

MINIMUM SIZE: 4" diameter

MAXIMUM DUCT OPENING

SINGLE SECTION:

VERTICAL: 52" Diameter

HORIZONTAL: 52" Diameter

MAXIMUM MULTIPLE SECTION

Not available



MATERIALS: Standard construction – galvanized steel.

Specifications for all material per Underwriters Laboratories Standard for Safety UL 555.

UNDERWRITERS LABORATORIES: Labeled for use in sizes no larger than shown in UL Building Materials List in a 2-hour fire partition.

Meets N.F.P.A. 90A Requirements.

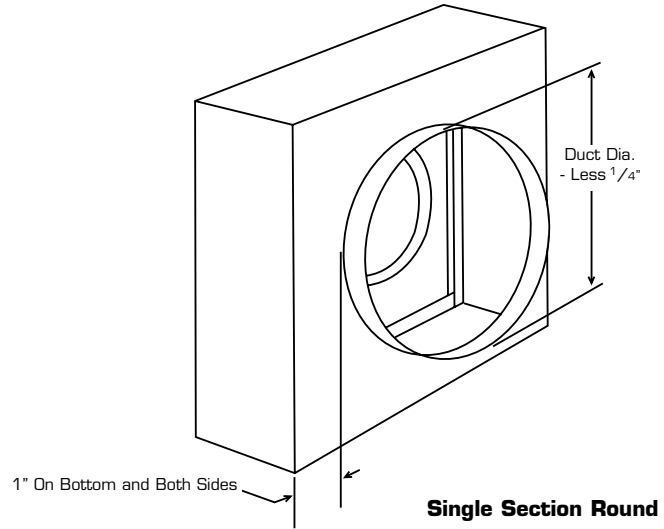
Refer to Form 5505 for installation instructions.

Optional 304 Stainless Steel Construction available.

Optional 212°F Fusible Link available.

SIZING DATA
MODEL 5500 FIRE-TITE™ UL FIRE DAMPERS
“CR” Frames

DUCT OPENING HEIGHT INCHES	TYPE OVERALL HEIGHT
4	6
5	7
6	8
7	9
8	11
9	12
10	13
11	14
12	15
13	16
14	17
15	18
16	19
17	21
18	22
19	23
20	24
21	25
22	26
23	27
24	28
25	29
26	30
27	32
28	33
29	34
30	35
31	36
32	37
33	38
34	39
35	40
36	42
37	43
38	44
39	45
40	46
41	47
42	48
43	49
44	50
45	52
46	53
47	54
48	55
49	56
50	57
51	58
52	59
53	60



NOTE:

FOR OVAL FIRE DAMPERS – Add 1" to overall height dimension.