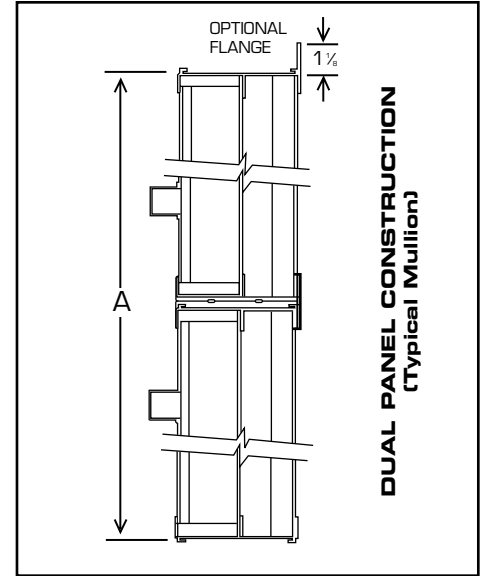
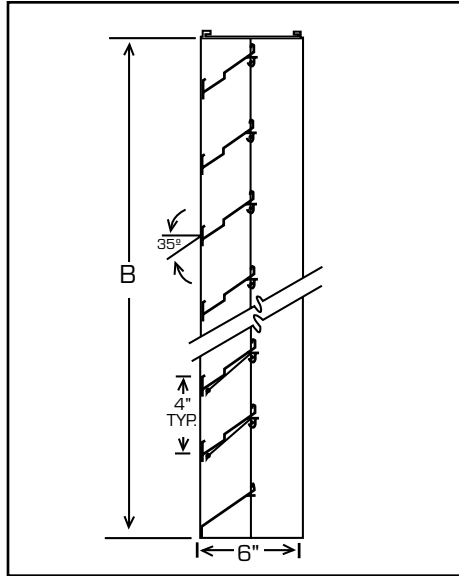




**CERTIFICATION & SUBMITTAL
MODEL 2350 ADJUST-O-VENT COMBINATION DAMPER/LOUVER
AUTOMATIC GRAVITY RELIEF**



STANDARD SPECIFICATIONS

- **FRAME:** .080 6063T5 extruded aluminum.
- **BLADES:** .072 6063T5 extruded aluminum with full length pivoting.
- **BIRDSCREEN:** .051 X 3/4" diamond pattern expanded aluminum.
- **BLADE EDGE SEAL:** Vinyl gasketing extending full length of adjustable blades.
- **FINISH:** Standard Mill.
- **MAXIMUM SINGLE SECTION:** 60" x 96"
- **MINIMUM SIZE:** 12" x 12"
- **NOTE:** A and B are opening dimensions. Unless otherwise specified, louvers are made 1/4" undersize.

OPTIONS

- 31 Flange.
- 32 Multiple Section.
- 34 Buck Frame.
- 35 Sill Extension.
- 40 Standard Screen in removable frame.
- 42 18 x 16 Mesh aluminum insect screen.
- 43 18 x 16 Mesh bronze insect screen.
- 44 1/2" x 1/2" x 16 gauge S.S. screen.
- 45 1/2" x 1/2" x .063 aluminum screen.
- 89 Sleeve.



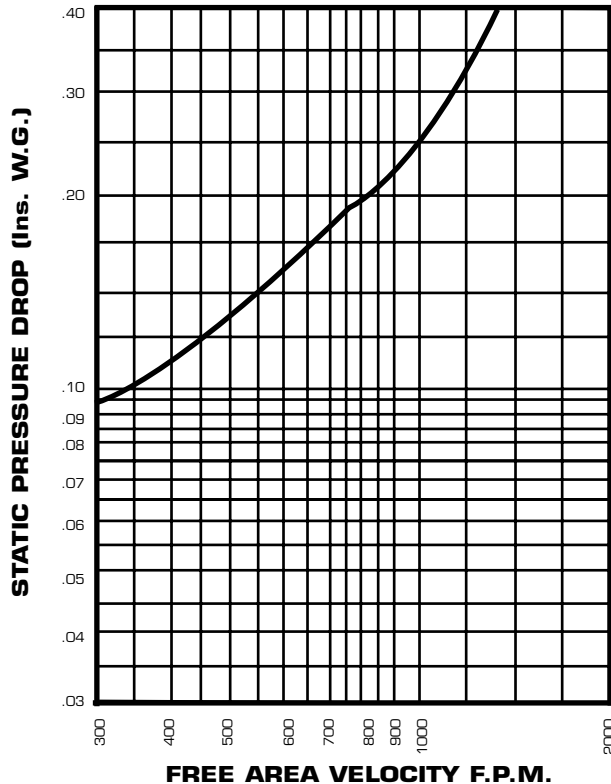
**PERFORMANCE DATA MODEL 2350
EXTRUDED ALUMINUM COMBINATION DAMPER/LOUVER
AUTOMATIC GRAVITY RELIEF**

FREE AREA CHART

		A - WIDTH (In Inches)												
		12	16	20	24	28	32	36	40	44	48	52	56	60
B - HEIGHT (In Inches)	12	.17	.24	.31	.39	.46	.53	.60	.68	.75	.82	.90	.97	1.04
	16	.33	.48	.62	.77	.92	1.06	1.21	1.35	1.50	1.65	1.79	1.94	2.08
	20	.50	.72	.94	1.16	1.37	1.59	1.81	2.03	2.25	2.47	2.69	2.91	3.12
	24	.67	.96	1.25	1.54	1.83	2.12	2.42	2.71	3.00	3.29	3.58	3.87	4.17
	28	.83	1.20	1.56	1.93	2.29	2.65	3.02	3.38	3.75	4.11	4.48	4.84	5.21
	32	1.00	1.44	1.87	2.31	2.75	3.19	3.62	4.06	4.50	4.94	5.37	5.81	6.25
	36	1.16	1.67	2.19	2.70	3.21	3.72	4.23	4.74	5.25	5.76	6.27	6.78	7.29
	40	1.33	1.91	2.50	3.08	3.66	4.25	4.83	5.41	6.00	6.58	7.16	7.75	8.33
	44	1.50	2.15	2.81	3.47	4.12	4.78	5.43	6.09	6.75	7.40	8.06	8.72	9.37
	48	1.66	2.39	3.12	3.85	4.58	5.31	6.04	6.77	7.50	8.23	8.96	9.68	10.41
	52	1.83	2.63	3.43	4.24	5.04	5.84	6.64	7.44	8.25	9.05	9.85	10.65	11.45
	56	2.00	2.87	3.75	4.62	5.50	6.37	7.25	8.12	9.00	9.87	10.75	11.62	12.50
	60	2.16	3.11	4.06	5.01	5.95	6.90	7.85	8.80	9.75	10.69	11.64	12.59	13.54
	64	2.33	3.35	4.37	5.39	6.41	7.43	8.45	9.47	10.50	11.52	12.54	13.56	14.58
	68	2.50	3.59	4.68	5.78	6.87	7.96	9.06	10.15	11.25	12.34	13.43	14.53	15.62
	72	2.66	3.83	4.99	6.16	7.33	8.49	9.66	10.83	11.99	13.16	14.33	15.49	16.66
76	2.83	4.07	5.31	6.55	7.79	9.03	10.27	11.50	12.74	13.98	15.22	16.46	17.70	
80	2.99	4.31	5.62	6.93	8.24	9.56	10.87	12.18	13.49	14.81	16.12	17.43	18.74	
84	3.16	4.55	5.93	7.32	8.70	10.09	11.47	12.86	14.24	15.63	17.01	18.40	19.79	
88	3.33	4.79	6.24	7.70	9.16	10.62	12.08	13.54	14.99	16.45	17.91	19.37	20.83	
92	3.49	5.02	6.56	8.09	9.62	11.15	12.68	14.21	15.74	17.27	18.81	20.34	21.87	
96	3.66	5.26	6.87	8.47	10.08	11.68	13.28	14.89	16.49	18.10	19.70	21.31	22.91	

FREE AREA (Sq. Ft.)

AIR PERFORMANCE TEST



RECOMMENDED MAXIMUM INTAKE FREE AREA VELOCITY 1000 F.P.M.