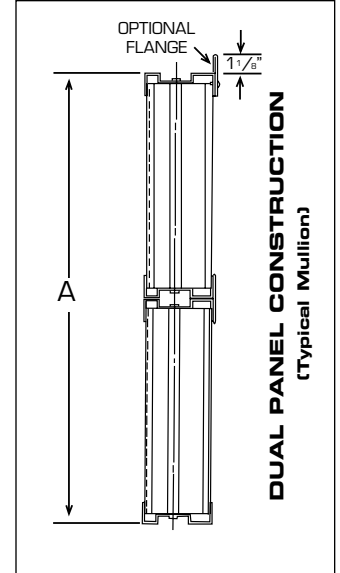
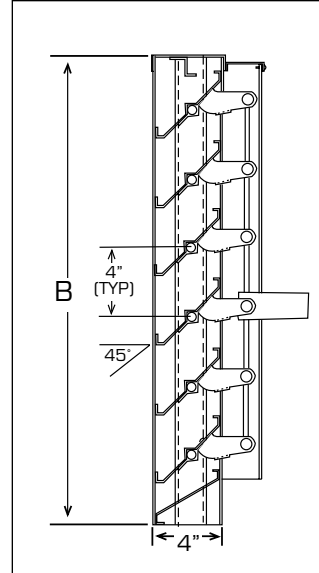
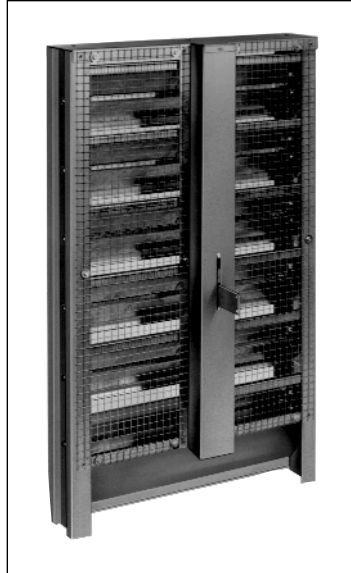




**CERTIFICATION & SUBMITTAL
MODELS 4455 & 4655 FABRICATED METAL LOUVERS
Drainable Adjustable Blade @ 45°**



STANDARD SPECIFICATIONS

- **FRAME:** 18 gauge galvanized steel head and sill with 14 gauge galvanized steel jambs.
- **BLADES:** 18 gauge galvanized "V" reinforced steel blades.
- **AXLES:** 1/2" diameter x 2" long plated steel rods.
- **BEARINGS:** 1/2" diameter self-lubricating porous bronze.
- **HARDWARE:** Plated steel center brackets; brass pivots, 1/4" or 5/16" dia. plated steel linkage rod.
- **OPERATING ARM:** 14 gauge galvanized steel.
- **COVER CHANNEL:** 18 gauge galvanized steel.
- **BIRDSCREEN:** 19 gauge 1/2" x 1/2" galvanized steel
- **FINISH:** Standard Mill.
- **MAX. SINGLE SECTION:** 60" X 96"
- **MINIMUM SIZE:** Model 4455: 12" x 10"
Model 4655: 12" x 13"

OPTIONS

- 06 Blade edge seals.
- 08 Spring stainless steel side seals.
- 31 Flange.
- 34 Buck Frame (requires flanged louver).
- 35 Sill Extension.
- 40 Standard Screen in removable frame.
- 42 18 x 16 Mesh aluminum insect screen.
- 63 Burglar bars.
- 81 16 gauge construction.
- 86 Aluminum construction.
- 89 Sleeve.
- 90 Jackshaft.
- 92 Actuators.
- 95 Finishing.

NOTE: A and B are opening dimensions. Unless otherwise specified, louvers are made 1/4" undersize.

Model 4655, 6" wide not shown.



**PERFORMANCE DATA MODEL 4455
FABRICATED METAL LOUVER
Drainable Adjustable Blade @ 45°**

**MODEL 4455
FREE AREA CHART**

		A - WIDTH (In Inches)												
		12	16	29	24	28	32	36	40	44	48	52	56	60
B - HEIGHT (In Inches)	12	.12	.18	.24	.30	.37	.43	.49	.55	.61	.67	.74	.80	.86
	16	.24	.36	.49	.61	.73	.86	.98	1.10	1.22	1.35	1.47	1.59	1.72
	20	.36	.54	.73	.91	1.10	1.28	1.47	1.65	1.84	2.02	2.21	2.39	2.58
	24	.48	.72	.97	1.22	1.46	1.71	1.96	2.20	2.45	2.70	2.94	3.19	3.44
	28	.60	.91	1.21	1.52	1.83	2.14	2.45	2.75	3.06	3.37	3.68	3.99	4.29
	32	.72	1.09	1.46	1.83	2.20	2.57	2.94	3.30	3.67	4.04	4.41	4.78	5.15
	36	.84	1.27	1.70	2.13	2.56	2.99	3.42	3.86	4.29	4.72	5.15	5.58	6.01
	40	.96	1.45	1.94	2.43	2.93	3.42	3.91	4.41	4.90	5.39	5.89	6.38	6.87
	44	1.07	1.63	2.18	2.74	3.29	3.85	4.40	4.96	5.51	6.07	6.62	7.18	7.73
	48	1.19	1.81	2.43	3.04	3.66	4.28	4.89	5.51	6.12	6.74	7.36	7.97	8.59
	52	1.31	1.99	2.67	3.38	4.03	4.70	5.38	6.06	6.74	7.41	8.09	8.77	9.45
	56	1.43	2.17	2.91	3.65	4.39	5.13	5.87	6.61	7.35	8.09	8.83	9.57	10.31
	60	1.55	2.35	3.15	3.96	4.76	5.56	6.36	7.16	7.96	8.76	9.56	10.37	11.17
	64	1.67	2.53	3.40	4.26	5.12	5.99	6.85	7.71	8.57	9.44	10.30	11.16	12.03
	68	1.79	2.72	3.64	4.56	5.49	6.41	7.34	8.26	9.19	10.11	11.04	11.96	12.88
	72	1.91	2.90	3.88	4.87	5.85	6.84	7.83	8.81	9.80	10.79	11.77	12.76	13.74
	76	2.03	3.08	4.13	5.17	6.22	7.27	8.32	9.36	10.41	11.46	12.51	13.55	14.60
	80	2.15	3.26	4.37	5.48	6.59	7.70	8.81	9.91	11.02	12.13	13.24	14.35	15.46
84	2.27	3.44	4.61	5.78	6.95	8.12	9.29	10.47	11.64	12.81	13.98	15.15	16.32	
88	2.39	3.62	4.85	6.09	7.32	8.55	9.78	11.02	12.25	13.48	14.71	15.95	17.18	
92	2.51	3.80	5.10	6.39	7.68	8.98	10.27	11.57	12.86	14.16	15.45	16.74	18.04	
96	2.63	3.98	5.34	6.69	8.05	9.41	10.76	12.12	13.47	14.83	16.19	17.54	18.90	

FREE AREA (Sq. Ft.)

RECOMMENDED MAXIMUM INTAKE FREE AREA VELOCITY 900 F.P.M.

**MODEL 4655
FREE AREA CHART**

		A - WIDTH (In Inches)												
		12	16	29	24	28	32	36	40	44	48	52	56	60
B - HEIGHT (In Inches)	12	.36	.51	.66	.81	.96	1.11	1.27	1.42	1.57	1.72	1.87	2.02	2.17
	16	.36	.51	.66	.81	.96	1.11	1.27	1.42	1.57	1.72	1.87	2.02	2.17
	20	.59	.84	1.09	1.33	1.58	1.83	2.08	2.33	2.58	2.82	3.07	3.32	3.57
	24	.82	1.17	1.51	1.86	2.20	2.55	2.89	3.24	3.58	3.93	4.28	4.62	4.97
	28	.82	1.17	1.51	1.86	2.20	2.55	2.89	3.24	3.58	3.93	4.28	4.62	4.97
	32	1.05	1.49	1.94	2.38	2.82	3.27	3.71	4.15	4.59	5.04	5.48	5.92	6.36
	36	1.28	1.82	2.36	2.90	3.44	3.98	4.52	5.06	5.60	6.14	6.68	7.22	7.76
	40	1.51	2.15	2.79	3.42	4.06	4.70	5.34	5.97	6.61	7.25	7.88	8.52	9.16
	44	1.51	2.15	2.79	3.42	4.06	4.70	5.34	5.97	6.61	7.25	7.88	8.52	9.16
	48	1.74	2.48	3.21	3.95	4.68	5.42	6.15	6.88	7.62	8.35	9.09	9.82	10.56
	52	1.98	2.81	3.64	4.47	5.30	6.13	6.96	7.80	8.63	9.46	10.29	11.12	11.95
	56	1.98	2.81	3.64	4.47	5.30	6.13	6.96	7.80	8.63	9.46	10.29	11.12	11.95
	60	2.21	3.13	4.06	4.99	5.92	6.85	7.78	8.71	9.64	10.57	11.49	12.42	13.35
	64	2.44	3.46	4.49	5.52	6.54	7.57	8.59	9.62	10.65	11.67	12.70	13.72	14.75
	68	2.44	3.46	4.49	5.52	6.54	7.57	8.59	9.62	10.65	11.67	12.70	13.72	14.75
	72	2.67	3.79	4.91	6.04	7.16	8.28	9.41	10.53	11.65	12.78	13.90	15.02	16.15
	76	2.90	4.12	5.34	6.56	7.78	9.00	10.22	11.44	12.66	13.88	15.10	16.32	17.54
	80	2.90	4.12	5.34	6.56	7.78	9.00	10.22	11.44	12.66	13.88	15.10	16.32	17.54
84	3.13	4.45	5.77	7.08	8.40	9.72	11.04	12.35	13.67	14.99	16.31	17.62	18.94	
88	3.36	4.78	6.19	7.61	9.02	10.44	11.85	13.27	14.68	16.09	17.51	18.92	20.34	
92	3.59	5.10	6.62	8.13	9.64	11.15	12.66	14.18	15.69	17.20	18.71	20.23	21.74	
96	3.59	5.10	6.62	8.13	9.64	11.15	12.66	14.18	15.69	17.20	18.71	20.23	21.74	

FREE AREA (Sq. Ft.)

RECOMMENDED MAXIMUM INTAKE FREE AREA VELOCITY 1000 F.P.M.