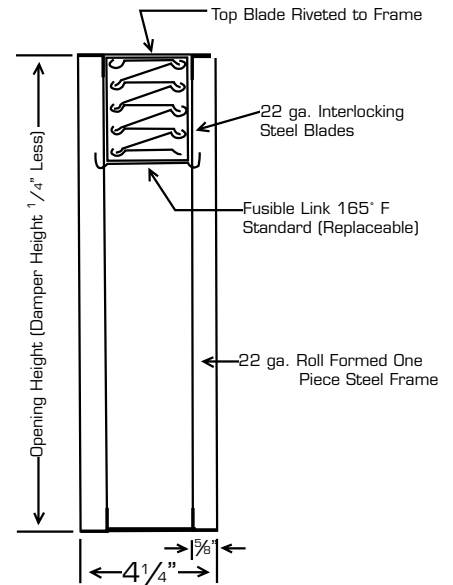
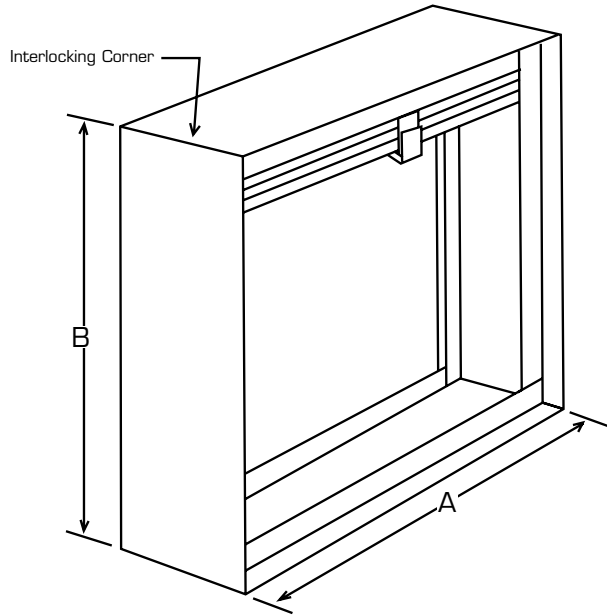
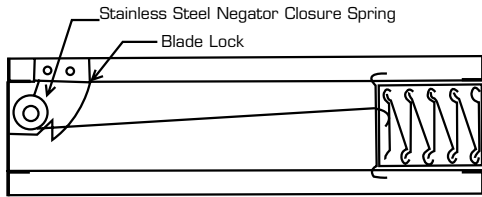




CERTIFICATION & SUBMITTAL
MODEL 5500 FIRE-TITE™ UL FIRE DAMPERS
"A" Frames
FOR USE IN STATIC SYSTEMS ONLY



**VERTICAL MOUNT
 MODEL 5510**



**HORIZONTAL MOUNT
 MODEL 5511**

UNDERWRITERS LABORATORIES, INC.™ CLASSIFIED FIRE DAMPER No. <input type="text"/> FIRE RESISTANCE RATING 1-1/2 HOUR	VENT PRODUCTS CO., INC.
---	--

California Fire Marshal
Listing No. 3225-1078:100

ALL DAMPERS 1/4" UNDER LISTED DIMENSIONS

MINIMUM SIZE: 4" x 4"

**MAXIMUM DUCT OPENING
 SINGLE SECTION:**

VERTICAL: 60" x 60"
HORIZONTAL: 60" x 60"

MAXIMUM MULTIPLE SECTION

VERTICAL: 120" x 120"
HORIZONTAL: 102" x 60"



MATERIALS: Standard construction - galvanized steel. Specifications for all material per Underwriters Laboratories Standard for Safety UL 555.

UNDERWRITERS LABORATORIES: Labeled for use in sizes no larger than shown in UL Building Materials List in a 2-hour fire partition.

Meets N.F.P.A. 90A Requirements.

Refer to Form 5505 for installation instructions.

Optional 304 Stainless Steel Construction available.

Optional 212°F Fusible Link available.