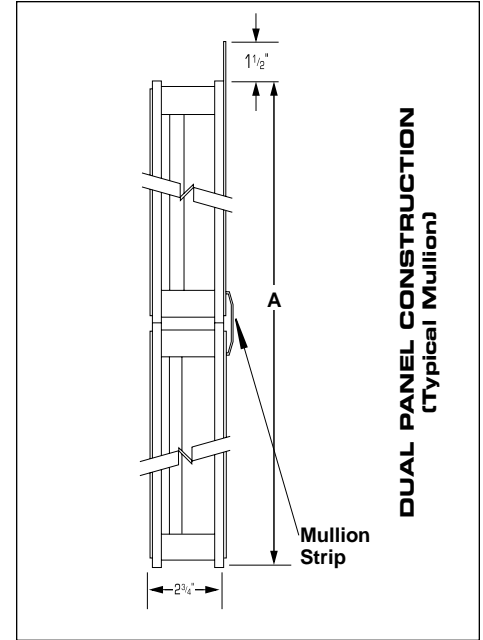
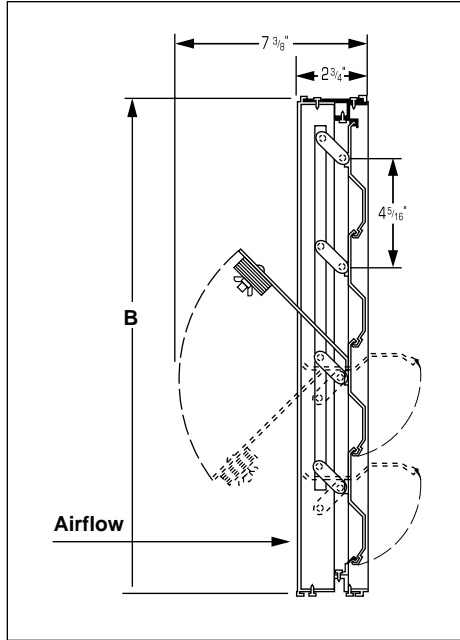
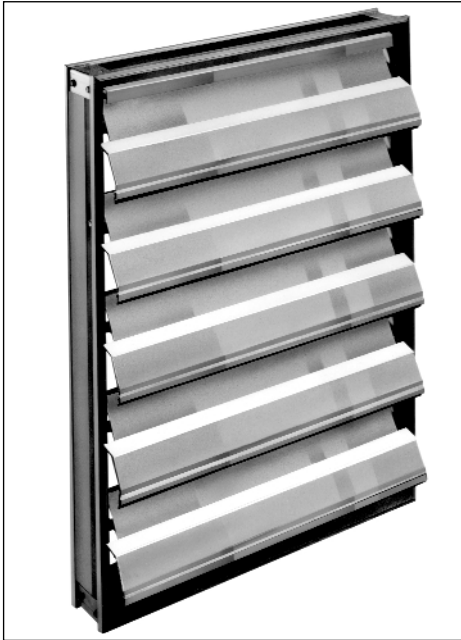




**CERTIFICATION & SUBMITTAL
 MODEL 3400
 Extruded Aluminum Backdraft Damper**



STANDARD SPECIFICATIONS

- **FRAME:** .090 6063T5 extruded aluminum.
- **BLADE:** .050 6063T5 extruded aluminum.
- **BLADE EDGE SEAL:** Vinyl gasketing extending full length of blades.
- **LINKAGE:** Synthetic pivot brackets and metallic tie rods concealed in damper frame.
- **FINISH:** Mill.
- **MAXIMUM SINGLE SECTION:** 40" x 48"
- **MINIMUM SIZE:** 6" x 6"
- **MAXIMUM FACE VELOCITY:** 2500 F.P.M.

OPTIONS

- 31 Flange (Specify air entering or air exiting).
- 40 3/4" expanded aluminum birdscreen (removable).
- 42 18 x 16 Mesh aluminum insect screen (removable).
- 43 18 x 16 Mesh bronze insect screen (removable).
- 44 1/2" x 1/2" x 16 ga. S.S. screen (removable).
- 45 1/2" x 1/2" x .063 aluminum screen (removable).
- 48 18 x 14 Mesh S.S. insect screen (removable).
- 89 Sleeve.

NOTES

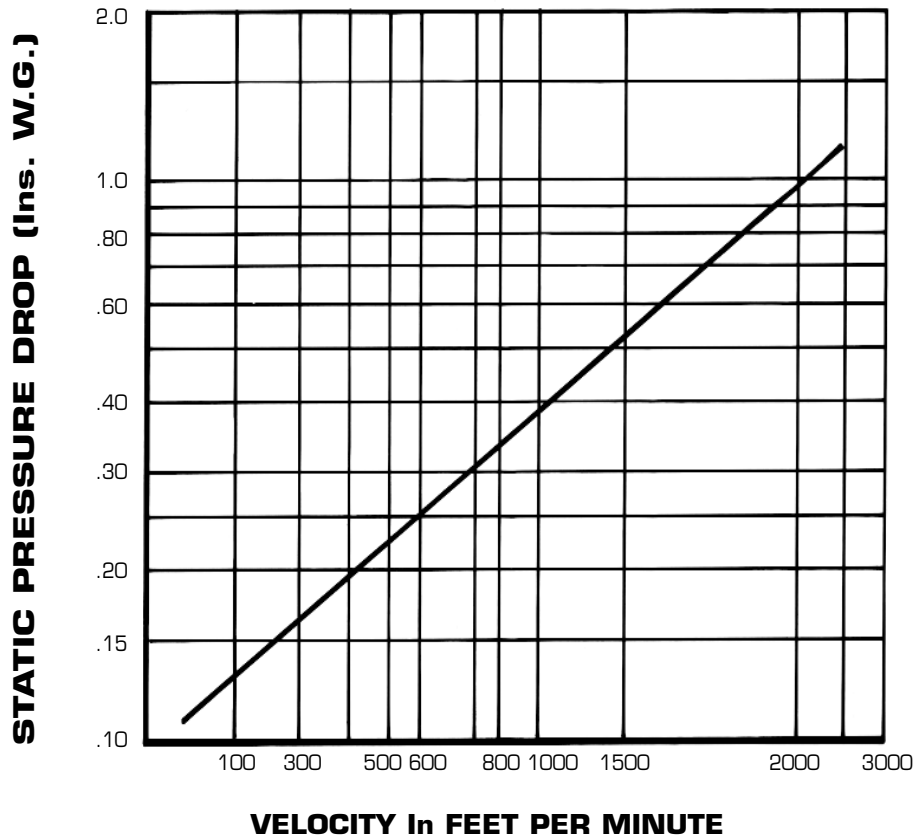
1. Recommended for horizontal airflow only.
2. A & B are opening dimensions. Unless otherwise specified, dampers are made 1/4" undersize.
3. Counterweights factory provided for dampers 9" in height and above.



PERFORMANCE DATA
MODEL 3400
Extruded Aluminum Backdraft Damper

This performance information is derived from testing in accordance with AMCA Standard 500; with test set up as per Figure 5.5.

AIRFLOW CHART



NOTES

- Maximum face velocity 2500 F.P.M.
 - Leakage (Measured in CFM /SQ. FT.) shall not exceed 2% of maximum rated airflow at 1" W.G.
 - Data does not reflect the use of adjustable counterweights.
 - When used for fan discharge, dampers should be mounted 1/2 the fan diameter from the discharge.
-