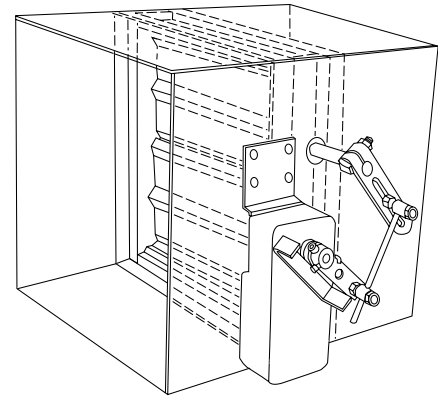
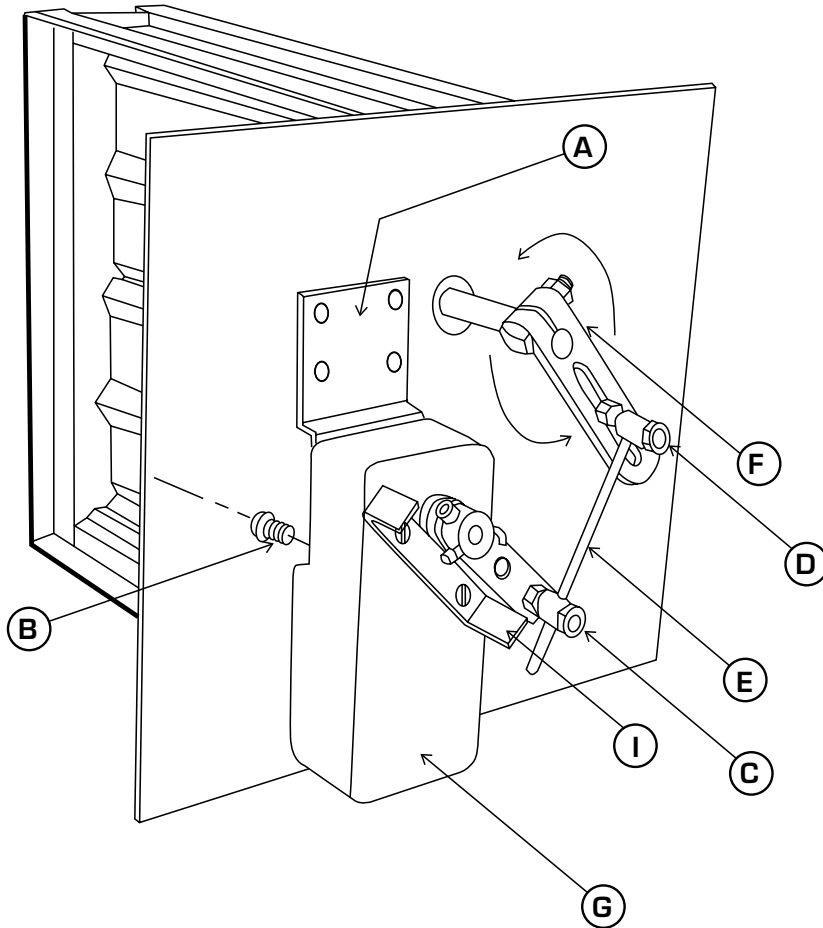




MULTI-PRODUCTS #2412 ACTUATOR INSTALLATION INSTRUCTIONS

EXTERNAL MOUNTING



(Hardware Kit # 9037)

- A. (1) 9031 bracket.
- B. (6) 1/4" long #8-32 screws.
- C. (1) DC1005FN swivel (actuator arm).
- D. (1) DC 1207FN swivel (AM113 arm).
- E. (1) 20" x 5/16" ϕ linkage rod (trim excess).
- F. (1) AM113 arm (damper).
- G. (1) Multi-products #2412 actuator.
(not included in hardware kit.)
- I. (1) Motor stop bracket.

NOTES

1. Linkage (items C, D, & E) should be adjusted to allow actuator arm to travel 90° to 150° as damper opens or closes a full 90°.
2. Vent Products reserves the right to substitute equivalent hardware.

See reverse side for other mounting instructions.

