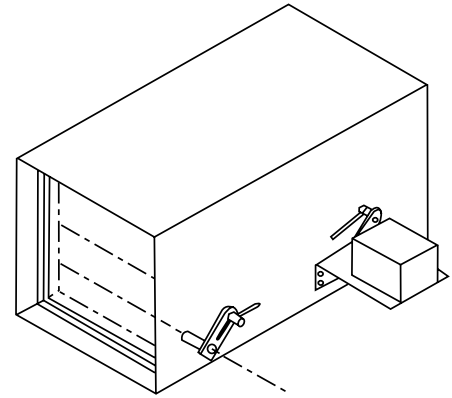
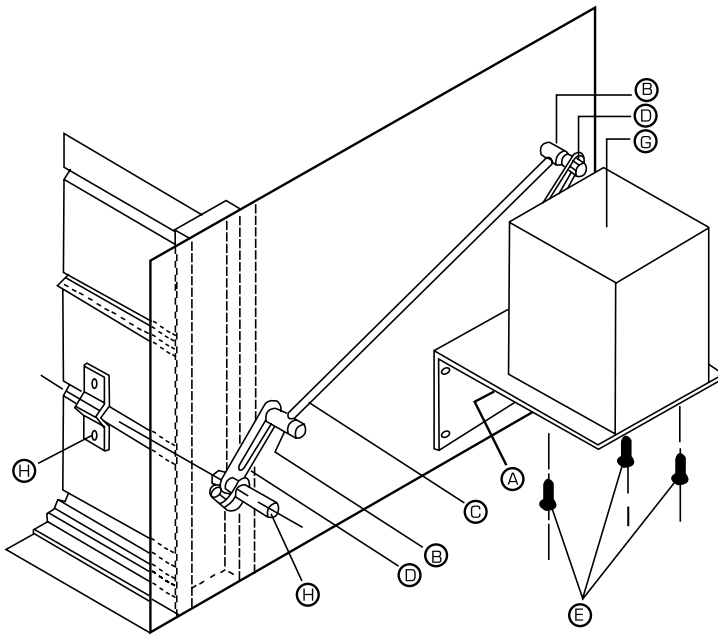




## BARBER COLMAN MA 400 SERIES ACTUATORS INSTALLATION INSTRUCTIONS

### EXTERNAL MOUNTING



#### (Hardware Kit # 9025)

- A. (1) 9021 bracket.
- B. (2) DC1207FN swivels.
- C. (1) 5/16" dia. x 20" long linkage rod (trim excess).
- D. (2) AM113 arms.
- E. (3) 1/4-20 x 3/4 long nuts and bolts.
- G. (1) Barber Colman MA400 series actuator  
(Not included in hardware kit).

1. Assemble AM113 arm (Item D) and swivel (Item B) on actuator (Item G).
2. Mount actuator on bracket (Item A).
3. Mount actuator-bracket assembly on:
  - a) External Mounting – ductwork.
  - b) Internal Mounting – damper frame.
  - c) Louver Mounting – hardware cover channel.

NOTE: Sketches show power open, spring close action.  
To reverse action (power close, spring open):

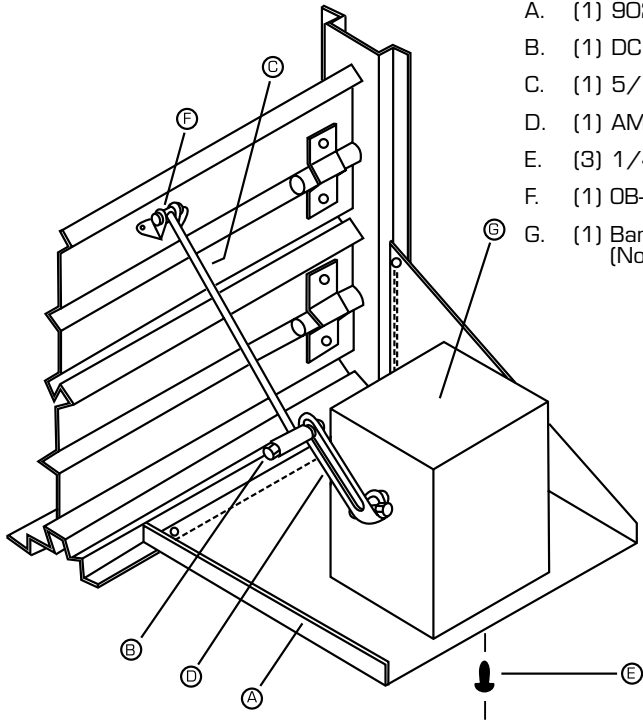
- a) Internal and External Mounting –  
Rotate actuator 180° on bracket.
  - b) Louver Mounting – Mount bracket on opposite  
side of cover channel.
4. Mount the following:
    - a) External Mounting – AM113 arm & swivel  
(Items D & B) on extended shaft (Item H).
    - b) Internal Mounting – OB-1 bracket (Item F) on control blade.
    - c) Louver Mounting – swivel (Item B) on 2029 arm (Item I).
  5. Connect 5/16" diameter linkage rod as shown.

#### NOTES

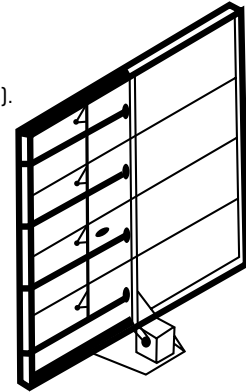
1. Linkage (Items B & C) should be adjusted to allow actuator arm to travel 180° as damper opens or closes a full 90°.
2. Extended shaft (Item H) must be securely fastened to control blade after positioning.
3. Vent Products reserves the right to substitute equivalent hardware.

See reverse side for other mounting instructions.

## INTERNAL MOUNTING (Hardware Kit #9026)



- A. (1) 9020 bracket.
- B. (1) DC1207FN swivel.
- C. (1) 5/16" dia. x 20" lg. lkg. rod (trim excess).
- D. (1) AM113 arm.
- E. (3) 1/4-20 x 3/4 lg. nuts & bolts.
- F. (1) OB-1 Blade Bracket.
- G. (1) Barber Colman MA400 series actuator (Not included in Hardware kit).

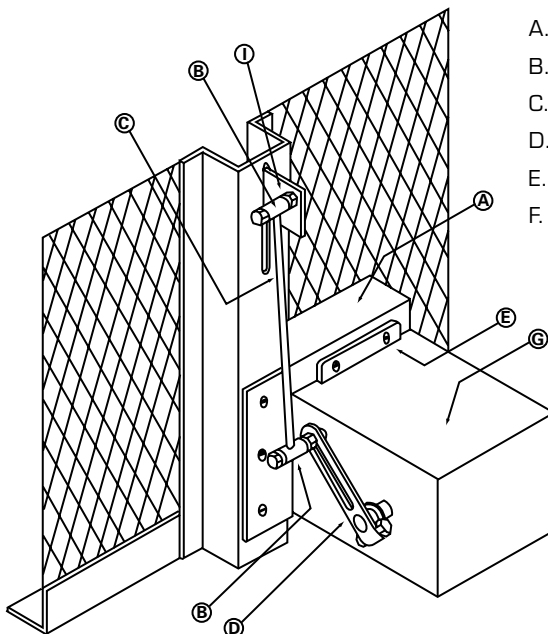


### NOTES

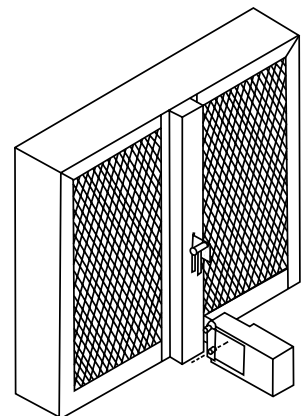
1. Optional mounting bracket #9029 (not shown) is available for "left hand" mounting upon request.
2. Linkage (items B & C) should be adjusted to allow actuator arm to travel 180° as damper opens or closes a full 90°.
3. Vent Products reserves the right to substitute equivalent hardware.

\*Refer to front side for installation instructions.

## AJUST-O-VENT & ADJUSTABLE LOUVER MOUNTING (Hardware Kit #9027)



- A. (1) 9032 bracket.
- B. (2) DC1207FN swivels.
- C. (1) 5/16" diam. x 20" lg. lkg. rod (trim excess).
- D. AM113 arm.
- E. (3) 1/4-20 x 3/4 lg. nuts & bolts.
- F. (1) Barber Colman MA400 series actuator (Not included in hardware kit).



### NOTES

1. Linkage (items B & C) should be adjusted to allow actuator arm to travel 180° as louver opens or closes a full 90°.
2. Vent Products reserves the right to substitute equivalent hardware.

\*Refer to front side for installation instructions.