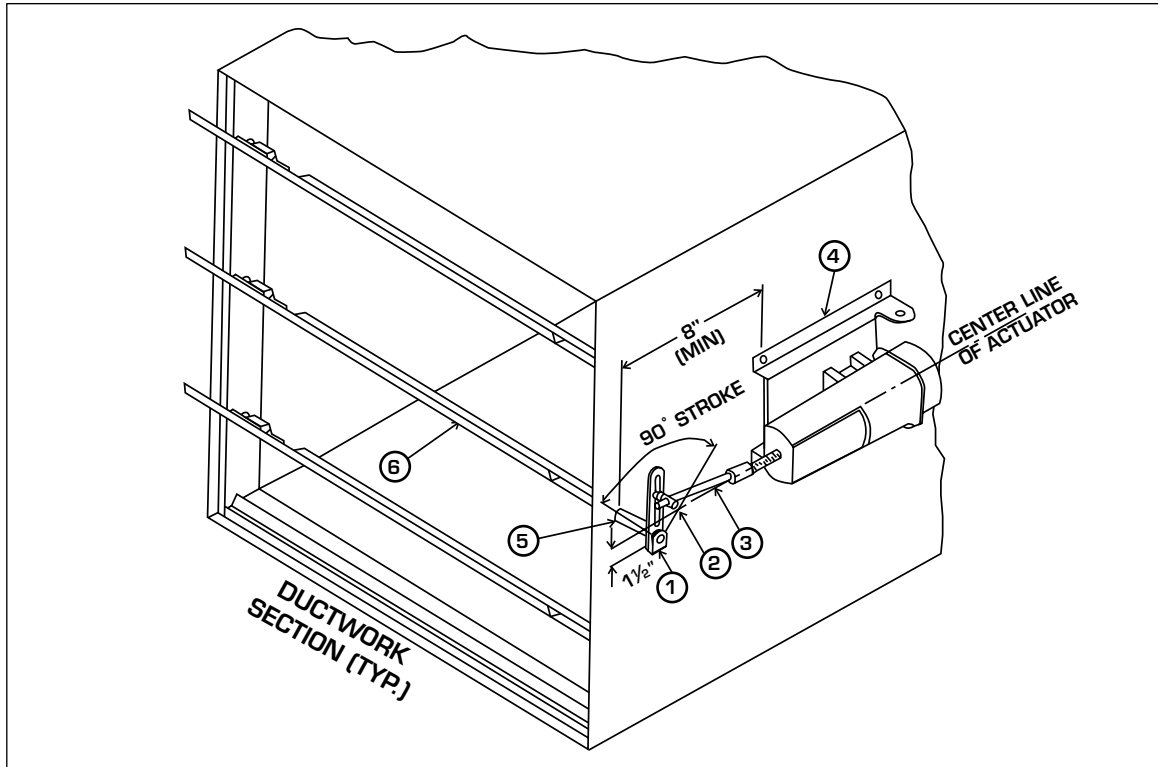




**BARBER COLMAN
MK3111 SERIES ACTUATOR
EXTERNAL MOUNTING**



INSTALLATION INSTRUCTIONS

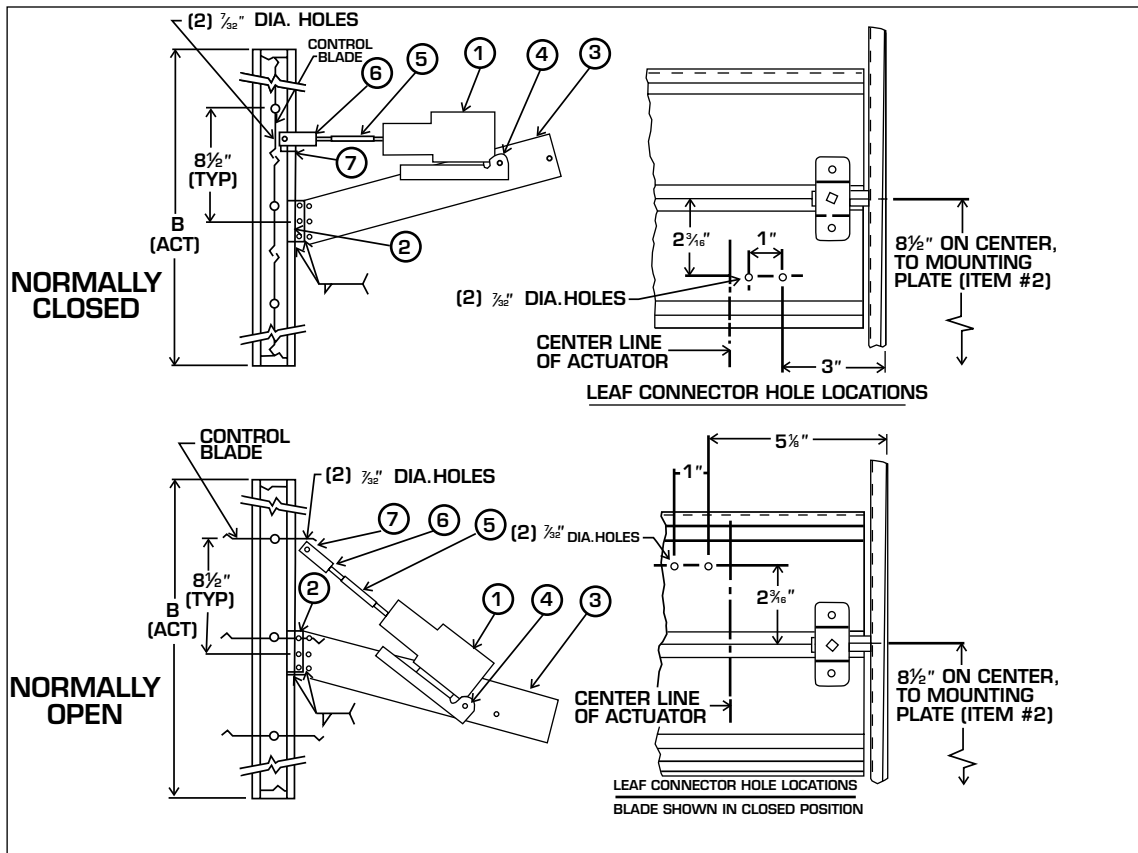
1. Measure a minimum of 8 inches from damper control rod (Item #5) to location of actuator on duct.
2. a) For normally-closed operation, locate actuator center line 1-1/2" above damper control rod (Item #5) and mount actuator to duct. Attach arm (Item #1) to control rod in an upwards position at 45°, from vertical towards actuator.
b) For normally-open operation, locate actuator center line 1-1/2" below damper control rod (Item #5) and mount actuator to duct. Attach arm (Item #1) to control rod in a downward position at 45° from vertical toward actuator.
3. Attach swivel (Item #2) to arm (Item #1) at approximately 2-1/2" from center of control rod (Item #5).
4. Connect actuator to swivel with 5/16" diameter rod (Item #3). Trim excess rod.
5. Power actuator and make final adjustments for normal closing and opening of damper.

NOTES:

1. Vent Products reserves the right to substitute equivalent hardware.

See reverse side for other mounting instructions.

BARBER COLMAN MK3111 SERIES ACTUATOR INTERNAL MOUNTING



INSTALLATION INSTRUCTIONS

1. Frame bracket (Item #2) and mounting plate (Item #3) are to be located 8-1/2", on center, from the closest center control blade on the damper.
2. Drill 7/32" diameter holes in control blade and attach leaf connector (Item #7) to blade.
3. Fasten pivot stud (Item #4) to mounting plate with nut and lockwasher.
4. Remove ball joint from actuator shaft and replace with shaft extension (Item #5).
5. Install clevis (Item #6) to shaft extension.
6. Install actuator to pivot stud, then connect clevis (Item #6) to leaf connector (Item #7); adjust Item #6 and Item #5 as required.

NOTES:

1. Dampers less than 24 inches in height require external mounting.
2. 6" of plastic tubing must be attached at end of control blade to allow for pivoting of actuator.
3. Vent Products reserves the right to substitute equivalent hardware.