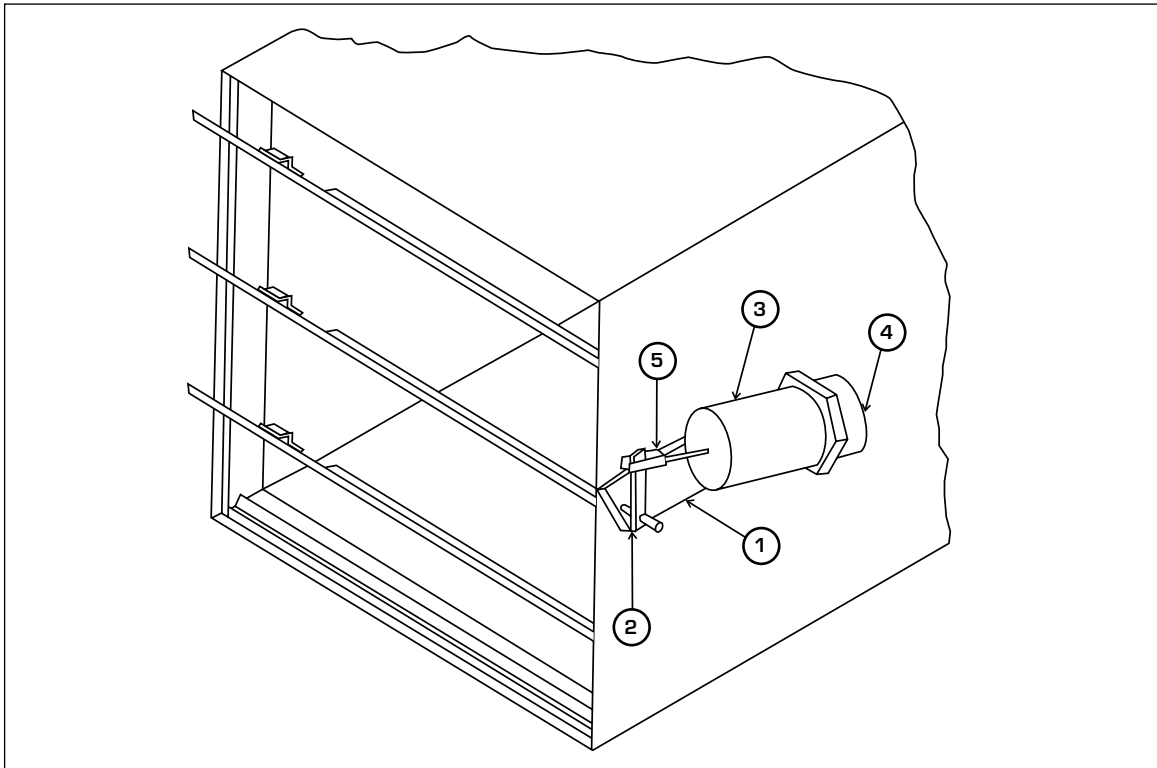




**BARBER COLMAN
MK7121 SERIES ACTUATOR
EXTERNAL MOUNTING**

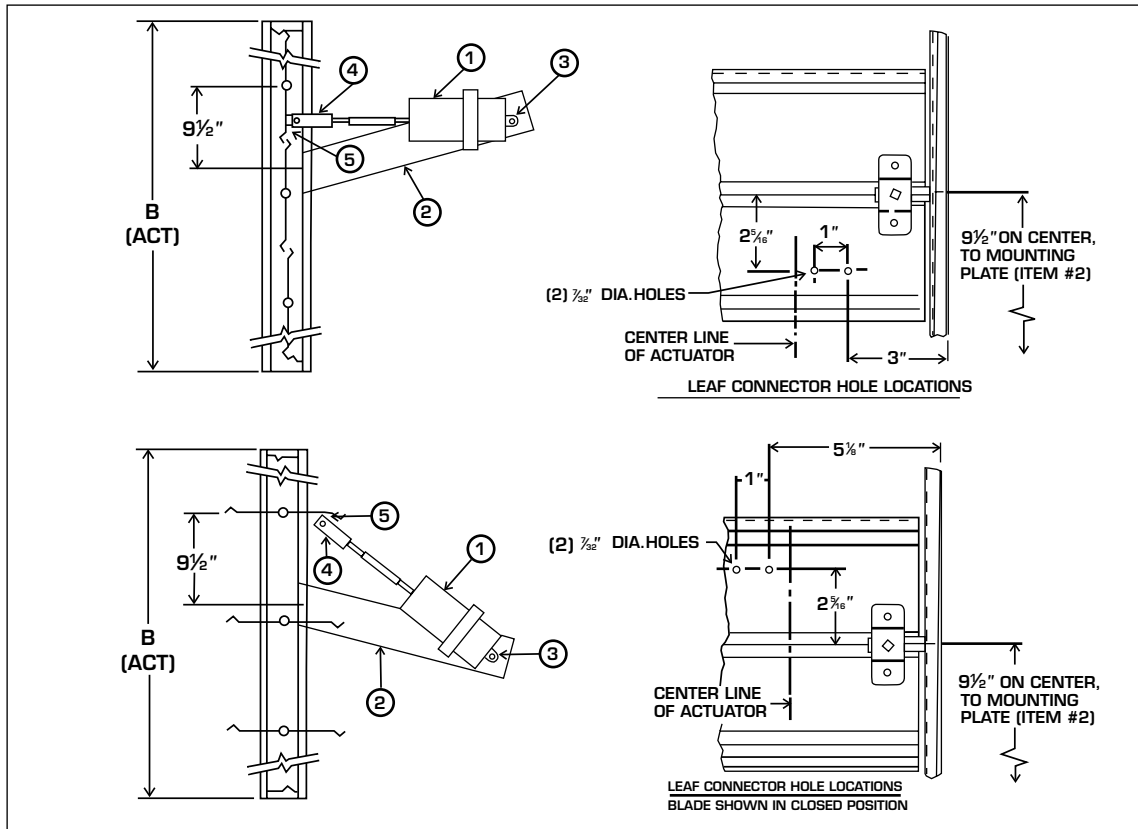


INSTALLATION INSTRUCTIONS

1. Attach mounting plate (Item #1) to duct or sleeve with damper shaft protruding through location hole in mounting plate.
 2. a) For normally closed operation install crank arm (Item #2) above damper control rod at approximately 45° angle, from perpendicular toward actuator:
b) For normally open operation install crank arm (Item #2) below damper control rod at approximately 45° angle, from perpendicular toward actuator.
 3. Attach actuator (Item #3) to mounting plate using actuator pivot stud (Item #4).
 4. Manually position damper blades (normally open or normally closed) to full retracted actuator position. Tighten crank arm in position described in Step 2a) or 2b).
 5. Connect clevis (Item #5) to crank arm in farthest hole from damper control rod. If necessary, adjust clevis and/or extensions.
 6. Power actuator and make final adjustments for normal closing or opening of damper.
- NOTES:**
1. Vent Products reserves the right to substitute equivalent hardware.
 2. Internal actuator must be factory mounted.

See reverse side for other mounting instructions.

**BARBER COLMAN
MK7121 SERIES ACTUATOR
INTERNAL MOUNTING**



INSTALLATION INSTRUCTIONS

1. Mounting plate (Item #2) to be located 9-1/2", on center; from the closest center control blade on the damper.
2. Drill 7/32" diameter holes in control blade and attached leaf connector (Item #5) to blade.
3. Fasten pivot stud (Item #4) to mounting plate with nut and lockwasher.
4. Install actuator to pivot stud, then connect clevis (Item #4) to leaf connector (Item #5)

NOTES:

1. Dampers less than 24 inches in height require external mounting.
2. 6" of plastic tubing must be attached at end of control blade to allow for pivoting of actuator.
3. Vent Products reserves the right to substitute equivalent hardware.

HARDWARE KIT

1. Barber-Colman MK7121 Actuator.
2. Mounting Bracket.
3. Pivot Stud.
4. Clevis.
5. Leaf Connector