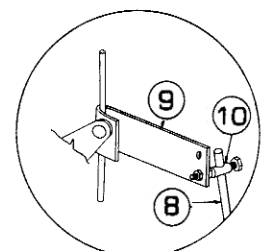
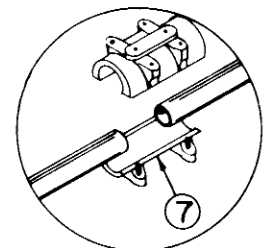
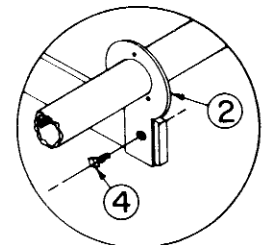
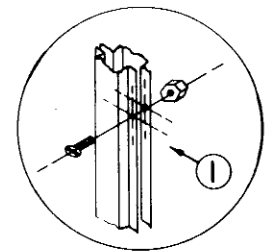
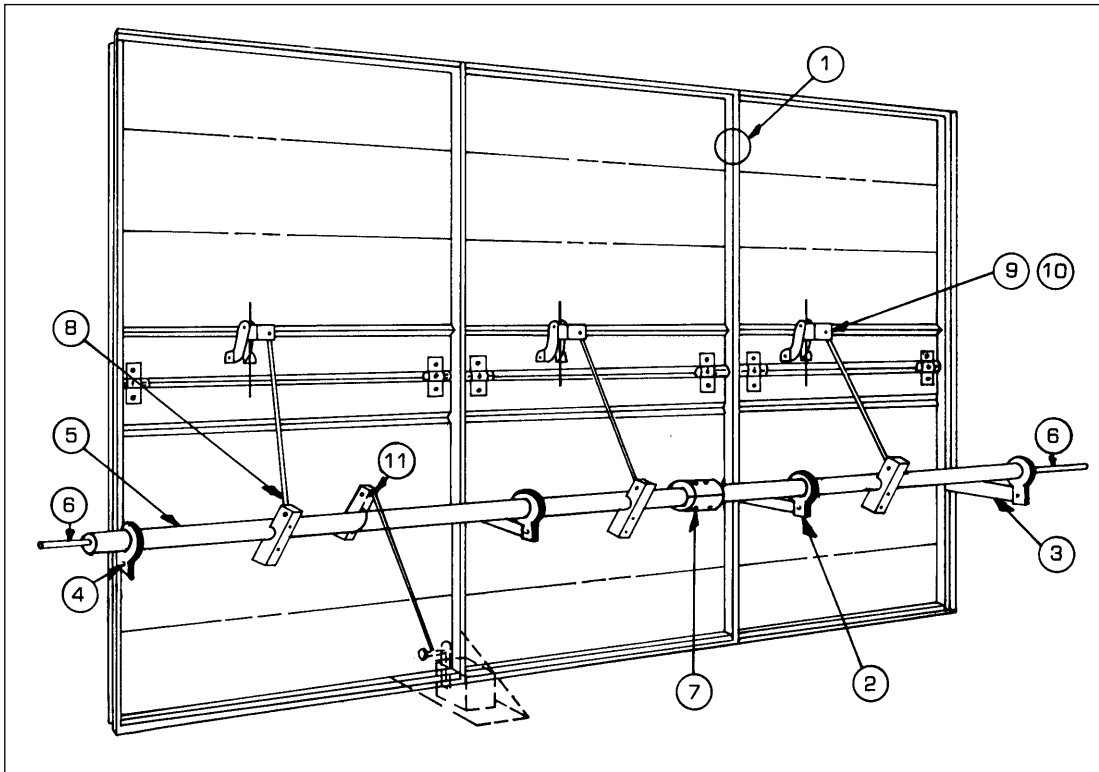




## JACKSHAFT ASSEMBLY INSTALLATION INSTRUCTIONS



- A. Remove dampers and jackshaft components from shipping container. Check damper blades and adjust linkages for any misalignment during shipment.
- B. Assemble multi-panel sections (1) by fastening jambs together using screws, nuts and lockwashers.
- C. Remove bearings (2) from brackets (3) by loosening set screws (4).
- D. Insert shaft (5) through bearings directing 1/2" diameter solid steel extension (6) through hole drilled in duct. Trim extensions if not required.
- E. Assemble bearings with shaft to brackets (3). Align bearings with end of brackets and hand tighten set screws.
- F. Connect multiple shafts with pipe coupling (7) where applicable and wrench tighten set screws.
- G. Attach connecting arms (8) to shaft with U-bolts and to damper brackets (9) by placing 5/16" diameter rod in swivels (10) and tighten set screw.
- H. Adjust linkages and bearings to ensure uniform alignment and operation of damper panels. Wrench tighten set screws and fasteners.
- I. Internal actuator mounting. Bolt actuator to mounting bracket, clamp operating arm (11) to shaft and adjust linkage for correct operation. Actuator can be located in any lower panel corner if required.
- J. External actuator mounting. Refer to Vent Products' Form No. 9025.

NOTE: Actuators are optional items and supplied only when ordered.